

STI HORN/STROBE/SPEAKER DAMAGE STOPPERS®



ST-9754



ST-9750

PRODUCT OVERVIEW

STI borrowed from nature's master builder, the spider, to create a web of protection from vandalism and accidental damage with these tough wire guards. They are constructed of 9-gauge steel wire with corrosion resistant polyester coating.

BACKED BY A THREE YEAR GUARANTEE

As all STI wire cages, these guards are backed by a three year guarantee against breakage in normal use. Highly recommended for areas where abuse is severe. Installation is easy with anchors and screws provided.

KEY FEATURES

General Information

- Helps protect from vandalism and accidental damage.
- For indoor use.
- Three year guarantee against breakage in normal use.

Design

- For use with Edwards GC Series and Kidde EGC Series.

Construction

- Corrosion resistant polyester coating.
- UL Listed to U.S. and Canada safety standards (see details on side 2).

Installation

- Fast and easy installation.
- Simple removal for servicing.

Options

- Tamper resistant hardware is available.

STI Horn/Strobe/Speaker

Dimensions and Technical Information

MODELS AVAILABLE

STI-9750 Ceiling Mounted Guard
STI-9754 Wall Mounted Guard

APPROVALS & WARRANTY

TESTING

UL/cUL Listed.
 For use with devices Listed to UL1638, UL464, UL1480
 CAN/ULC-S525CAN/ULC-S526, CAN/ULC-S541

WARRANTY

Three year guarantee against breakage in normal use.

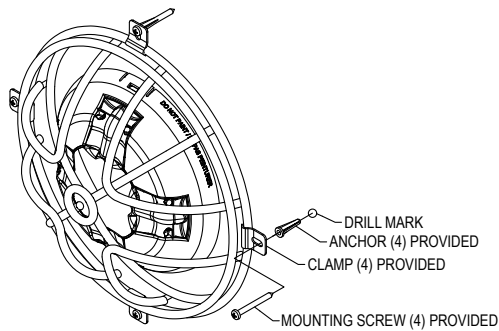
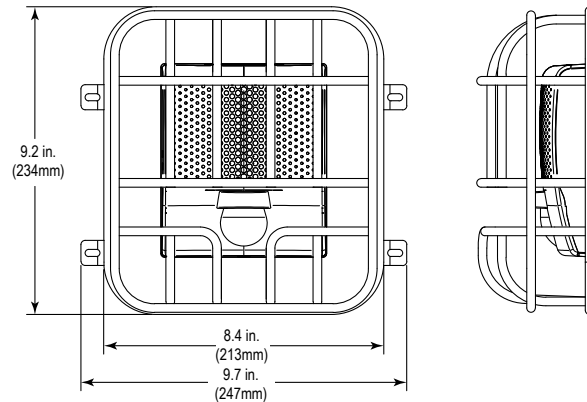
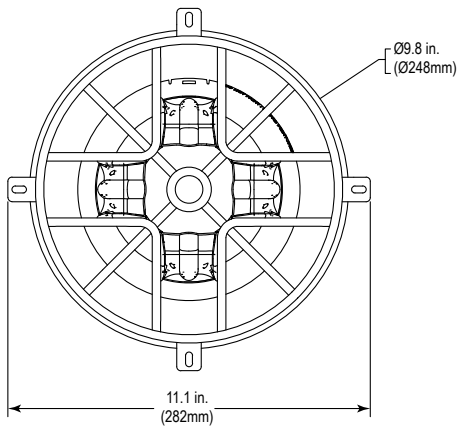
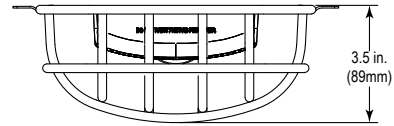
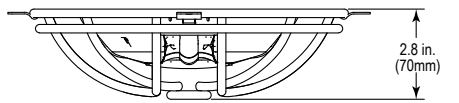
LIGHT AND SOUND DE-RATING FACTOR

STI-9750

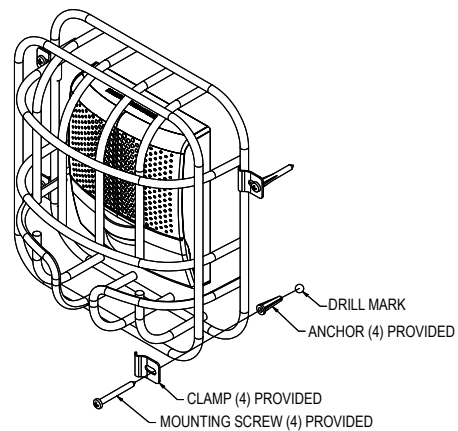
GC, EGC, GCS, EGCS light loss 20%, sound loss <1%

STI-9754

G1, EG1, G4, EG4, G4S, EG4S light loss 28%, sound loss <1%



STI-9750



STI-9754